

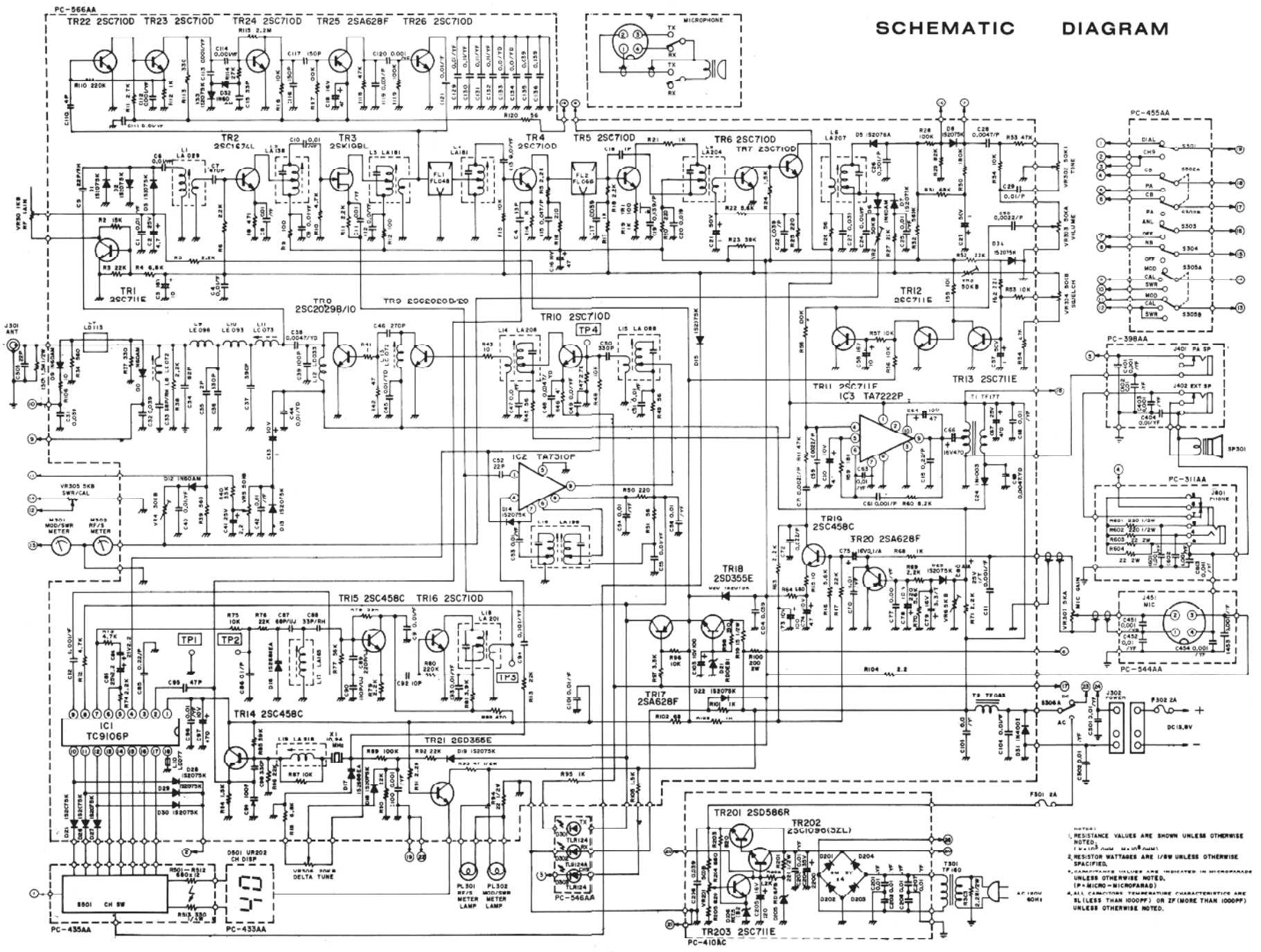
SCHEMATIC DIAGRAM

I.C. VOLTAGE CHART

IC1 (RX)	(TX)
1	0
2	3.45
3	0
4	0
5	3.78
6	3.78
7	0
8	.06
9	3.43
10	.47
11	.47
12	.47
13	7.43
14	7.43
15	7.43
16	7.43
17	7.43
18	0

IC2 (RX)	(TX)
1	nk
2	0
3	0
4	0
5	0
6	.06
7	.06
8	.06
9	.06

IC3 (RX)	(TX)
1	13.13
2	6.78
3	0
4	1.24
5	1.03
6	0
7	0
8	2.90
9	13.78



NOTES:
 1. RESISTANCE VALUES ARE SHOWN UNLESS OTHERWISE NOTED.
 2. RESISTOR WATTAGES ARE 1/8W UNLESS OTHERWISE SPECIFIED.
 3. CAPACITANCE VALUES ARE INDICATED IN MICROPARADS UNLESS OTHERWISE NOTED.
 4. ALL CAPACITORS THROUGHOUT ARE 50V UNLESS OTHERWISE NOTED.
 5. ALL CAPACITORS THROUGHOUT ARE 50V UNLESS OTHERWISE NOTED.